

Microbarrier HEPA
& HEPAMAX™
Separator-Style
HEPA Filters

Microbarrier Separator-Style HEPA/ HEPAMAX™ High Efficiency Air Filters



WHEN CLEAN AIR IS CRITICAL

MANN+HUMMEL Air Filtration Americas' Microbarrier HEPA & HEPAMAX™ filters offer a complete line of high efficiency filters for your critical applications and environments. MANN+HUMMEL's quality-controlled manufacturing facility ensures that you receive the highest quality product.

Both Microbarrier HEPA and HEPAMAX™ filters are available in a variety of styles to meet your demanding application needs. The Microbarrier HEPA is our standard capacity HEPA rated at 250 FPM with an initial resistance of 1.0" w.g. The Microbarrier HEPAMAX™ is our high flow model with more media than our standard version and is rated at 500 FPM with an initial resistance of 1.4" w.g.

FEATURES

- Available in standard & high flow models
- Variety of frame materials – both MDF & metal
- Glass microfiber media packs
- Rolled & tapered aluminum separators
- Efficiencies available from 99.97% @ 0.3 μm to 99.99% @ 0.3 μm
- Both gasket & gel seal available
- Faceguards optional
- Quality-controlled manufacturing facility

The Microbarrier HEPA gasket seal product line is offered in a variety of frame materials; standard options include MDF high-density particleboard, and galvanized metal. The Microbarrier HEPA metal frames use the z-body style that allows for maximum strength and maximum media surface area. Additional frame options are fabricated aluminum and 304 stainless steel - contact the factory for additional options.

Microbarrier HEPA and HEPAMAX™ media packs are constructed utilizing moisture resistant, glass microfibers. The Microbarrier HEPA media pack is supported by aluminum separators that are hemmed and tapered and placed between each pleat to maximize performance, ensuring maximum air flow at minimum resistance and to protect the media pack.

Microbarrier HEPA and HEPAMAX™ filters have minimum filter efficiencies of 99.97% and 99.99% at 0.3 μm when tested at rated air flow. MANN+HUMMEL also offers higher efficiency configurations - please contact us for details.

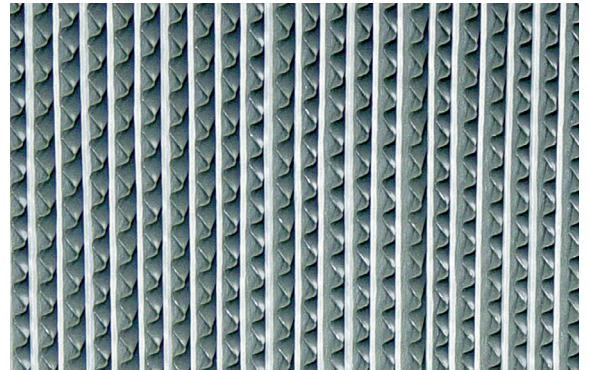
MICROBARRIER HEPA & HEPAMAX™

Microbarrier HEPA and HEPAMAX™ filters are available in either a gasket seal or gel seal configuration. The standard gasket is 0.75" wide x 0.25" thick neoprene and is available on either the upstream, downstream or on both faces of the filter. Other gasket options are available. The Microbarrier HEPA and HEPAMAX™ gel seal filters utilize MANN+HUMMEL's standard gel which is factory installed along with the Microbarrier HEPA media pack. Microbarrier HEPA and HEPAMAX™ gel seal filters are for use in high purity applications.

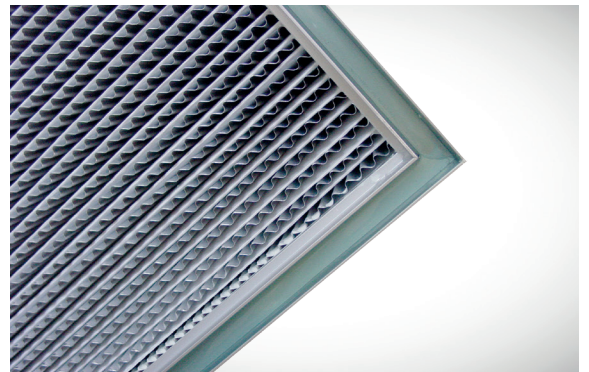
Microbarrier HEPA and HEPAMAX™ filters are available with optional faceguards to protect the filter media from damage. Faceguards are available on either one or both faces of the filter and the standard faceguard construction is expanded aluminized steel. Other materials are available.

Microbarrier HEPA and HEPAMAX™ gel seal filters are available with anodized extruded aluminum or fabricated metal frames. The media pack is encapsulated into the frame on all four sides with a polyurethane sealant. The corner of the anodized extruded aluminum frames are connected with our dual-corner fastener system which produces an airtight rigid joint. Other features of the anodized aluminum frame include a protective finish that is corrosion resistant and it significantly reduces the weight of the filter when compared to other frame material options.

The gel seal version is available with optional extractor clips for side access housing applications where required.



Microbarrier HEPA media pack



Microbarrier HEPA gel seal



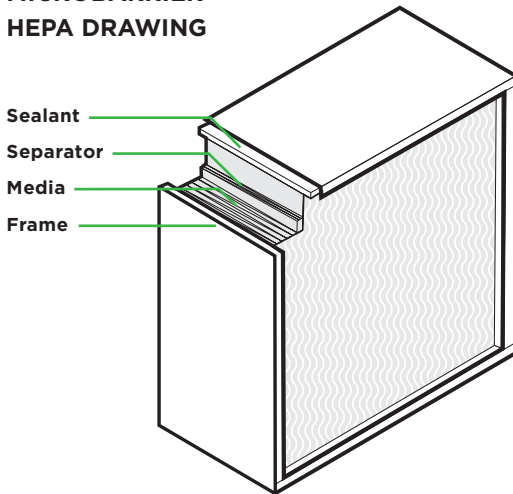
Gel seal extractor clips for side access installations

Microbarrier HEPA/ HEPAMAX™ Technical Specifications

TECHNICAL DATA

Specifications	Microbarrier HEPA (Standard Capacity)	Microbarrier HEPAMAX™ (High Capacity)
Media	Glass Microfiber	Glass Microfiber
Frame	Multiple frame types available	Multiple frame types available
Gasket Seal	0.25" x 0.75" Neoprene Gasket	0.25" x 0.75" Neoprene Gasket
Gel Seal	Silicone	Silicone
Sealant	Polyurethane	Polyurethane
Recommended Airflow/Resistance	12" deep @ 250 FPM = 1.0" w.g. (1.25 m/sec = 250 PA)	12" deep @ 500 FPM = 1.40" w.g. (2.5 m/sec = 350 PA)
	6" deep @ 125 FPM = 1.0" w.g. (0.625 m/sec = 250 PA)	6" deep @ 250 FPM = 1.40" w.g. (1.25 m/sec = 350 PA)
Efficiency	99.97% or 99.99% @ 0.3 microns	99.97% or 99.99% @ 0.3 microns
Temperature Limit	250°F (121°C)	250°F (121°C)

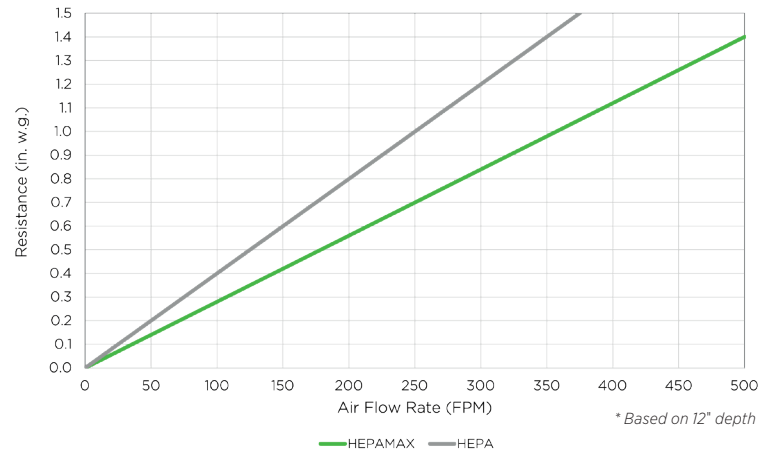
MICROBARRIER HEPA DRAWING



HEPA TYPICAL APPLICATIONS

- Healthcare
- Biotech
- Pharmaceutical
- Food Processing
- Semiconductor
- Biomedical
- Universities
- Laboratories
- Industrial Applications
- Photo Processing
- Mushroom Growers
- Research Facilities

HEPA AIR FLOW VS. RESISTANCE



MANN+HUMMEL is committed to continual product development - all descriptions, specifications and performance data are subject to change without notice. MANN+HUMMEL products are manufactured to exacting criteria - there can be a ±5% variance in filter performance.

LOCAL REPRESENTATIVE