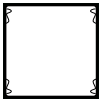




Nanoclass Terminal
Housings
EPA, HEPA & ULPA
Filter Housings

Nanoclass Terminal Housings Ceiling-Mounted Housings

Product Range



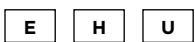
Features



Applications



Filter Class



KEY FACTS

- Housings with integrated EPA, HEPA or ULPA filters
- Provide air filtration and distribution in one unit
- Multiple sizes and combinations
- Tested for leaks according ISO 29463-5
- Pressure drop measurement from clean room side

DESIGN

Robust housings with integrated EPA, HEPA or ULPA filters. Constructed from powder-coated steel in RAL 9010, white. Available with various options including diffusers and perforated plates.

APPLICATIONS

For use wherever clean air or a germ-free atmosphere is needed. For example in hospital operating theaters and treatment rooms; intensive care units; clean production environments in pharmaceutical, chemical, food, optical and electronic industries; laboratory clean zones and work areas.

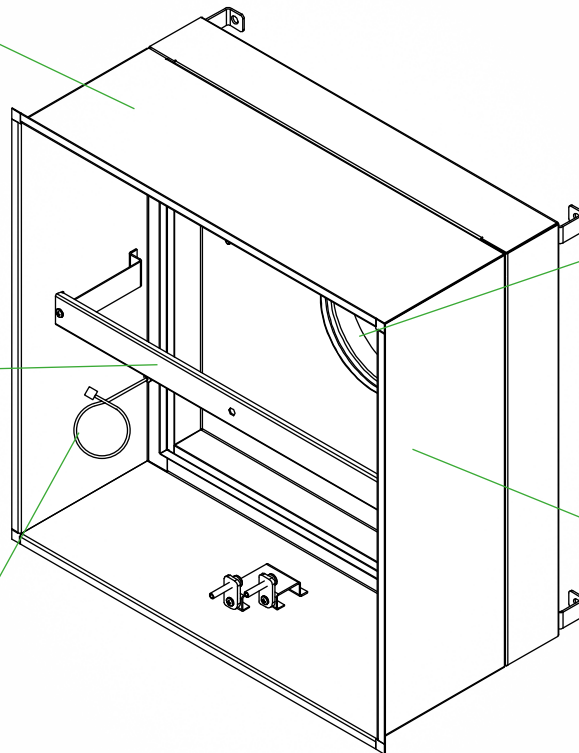
Nanoclass Terminal Housings Design

CONSTRUCTION AND FEATURES

Constructed from powder-coated steel as standard. Antimicrobial powder coating or a fire-resistant coating are available as an option.

Options include a four-way, swirl or perforated plate diffuser.

The system and filter can be tested easily via the integral port – accessible from the room side for pressure, seal and aerosol tests.



Air is supplied through a circular, top or side-mounted spigot.

Standard color for the outlet elements is white (RAL 9010), with other colors available upon request

Nanoclass Terminal Housings

Technical Data

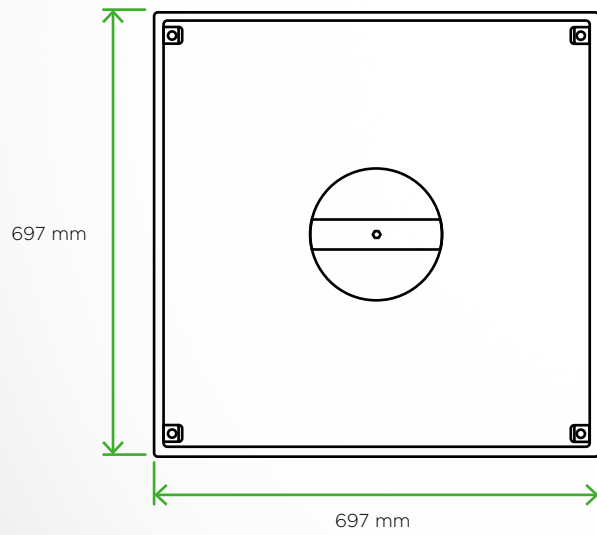
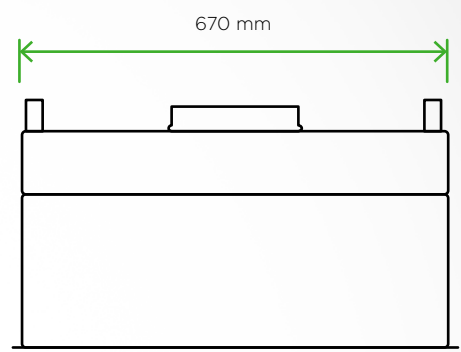
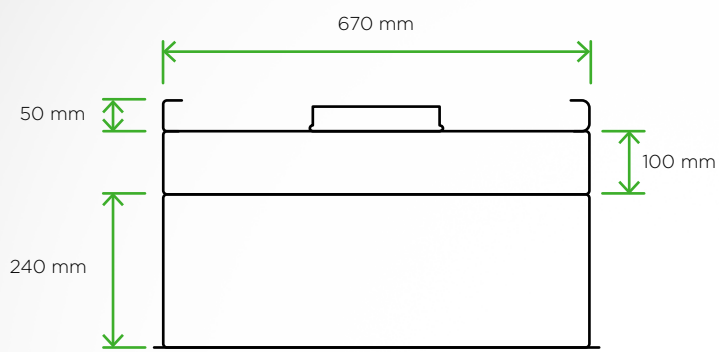
AIR FLOW AT PRESSURE DROP OF 105 PA

Filter Type	Filter Size	Pleat Pack Depth			
		50 mm	70 mm	100 mm	120 mm
Flat Gasket	610 x 610 x 68 mm	600 m ³ /h	-	-	-
	610 x 610 x 90 mm	600 m ³ /h	850 m ³ /h	-	-
	610 x 610 x 124 mm	600 m ³ /h	850 m ³ /h	1200 m ³ /h	-
	610 x 610 x 150 mm	600 m ³ /h	850 m ³ /h	1200 m ³ /h	1400 m ³ /h
Top Channel Gel Seal	610 x 610 x 83 mm	600 m ³ /h	850 m ³ /h	-	-
	610 x 610 x 128 mm	600 m ³ /h	850 m ³ /h	1200 m ³ /h	-
Peripheral Channel Gel Seal	610 x 610 x 66 mm	600 m ³ /h	-	-	-
	610 x 610 x 88 mm	600 m ³ /h	850 m ³ /h	-	-

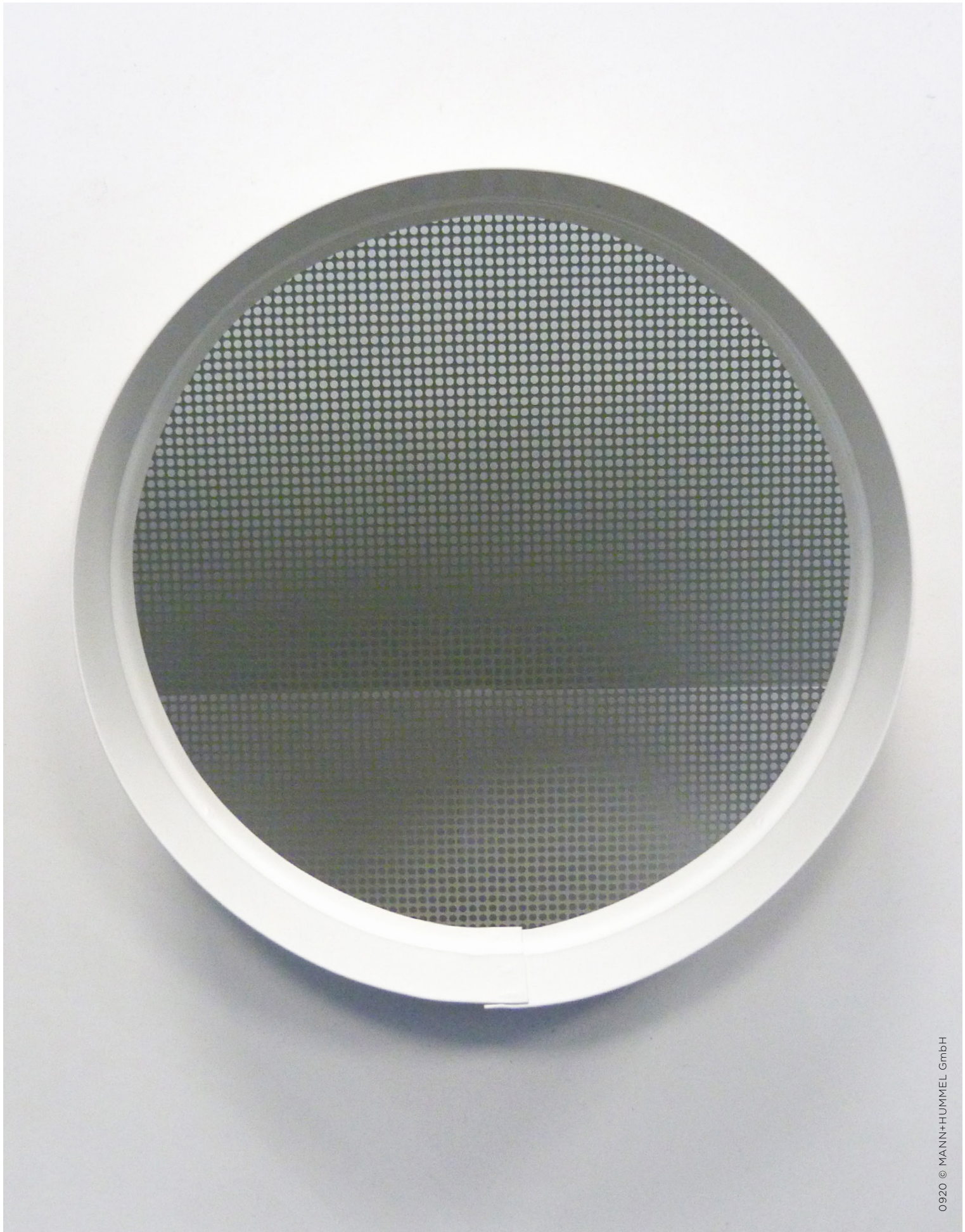
Details above based on H13 and H14 efficiency.
 Flow rate +/- 15%.
 Other options available upon request - please contact sales.uk-by@mann-hummel.com



STANDARD HOUSING DIMENSIONS



Other options available upon request
Including side access, diffusers, and antimicrobial or fire resistant paint.
For more information please contact: sales.uk-by@mann-hummel.com



0920 © MANN+HUMMEL GmbH

MANN+
HUMMEL

airfiltration.mann-hummel.com